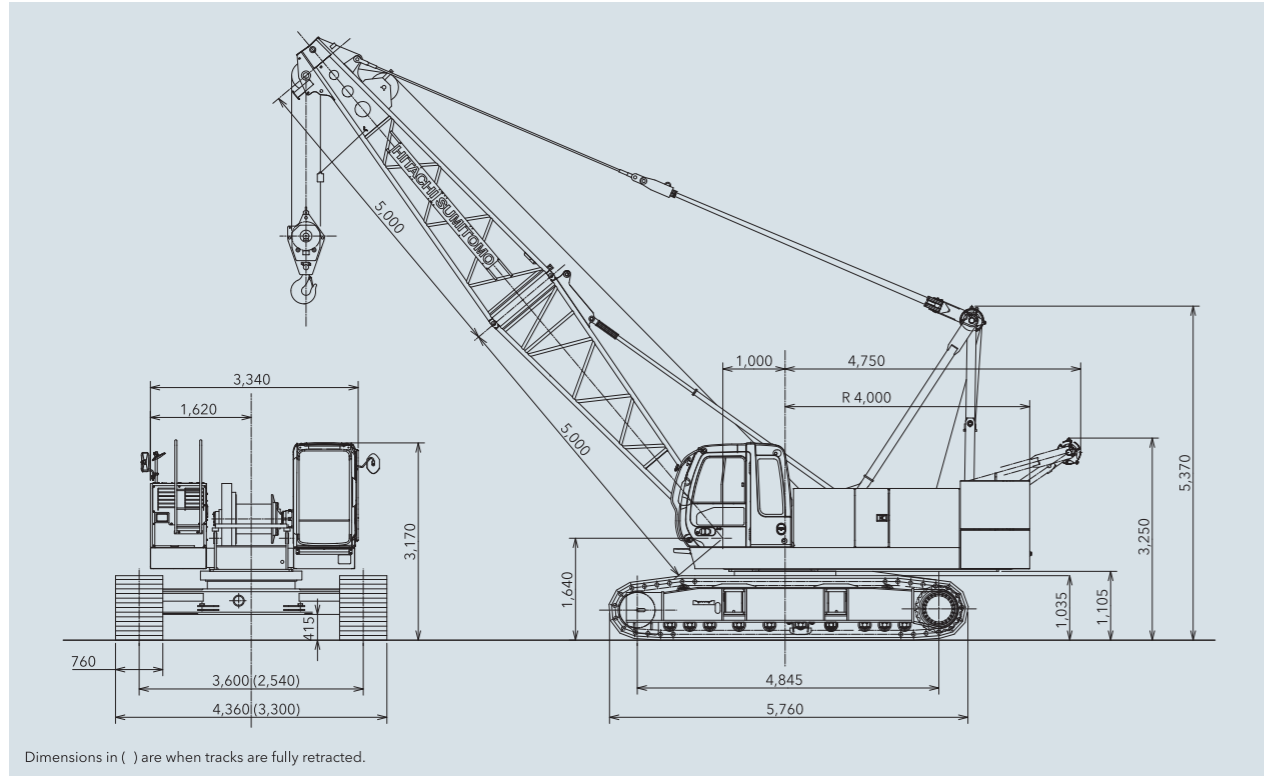


■ GENERAL DIMENSIONS



■ SPECIFICATIONS

		Liftcrane		Clamshell	
Max. lifting capacity		t × m		—	
Basic boom length		m		10.0	
Max. boom length		m		19.15	
Crane jib length		m		—	
Max. boom + Jib length		m		—	
Rope line speeds (*1)	Front and rear winch	m / min	75 (*2) 60 (*3)	Wire rope diameter 22 mm	75 (*2) Wire rope diameter 22 mm
	Boom hoist winch	m / min	62 (*2)	Wire rope diameter 16 mm	62 (*2) Wire rope diameter 16 mm
Swing speed (*4)		min ⁻¹ (rpm)	3.7 (3.7)		
Travel speed (*5)		km / h	1.5		
Engine	Make and model	ISUZU 6HK1 Stage II, Tier 2			
	Rated output	kW / min ⁻¹ (PS / rpm)	140 / 2,000 (190 / 2,000)		
Gradability		% (Degree)	30 (17)		
Ground contact pressure		kPa (kgf / cm ²)	67.0 (0.68) (w / basic boom, 55t hook)	70.5 (0.72) (w / basic boom and 1.2m ³ Clamshell bucket)	
Operating weight		t	50.0 (w / basic boom, 55t hook)	52.6 (w / basic boom and 1.2m ³ Clamshell bucket)	

- Notes: 1. Data is expressed in SI units followed by conventional units in ().
 2. These figures are based on the drum first layer, rated engine speed and operating conditions (*1).
 3. With no load (*2).
 4. With 6.5 t rated line pull (*3).
 5. Swing speed will vary with the load (*4).
 6. Travel speed is based on flat, level and firm supporting surface, and under the conditions that no load must be applied and front attachment must be 10.0 m basic boom (*5).

- We are constantly improving our products and therefore reserve the right to change designs and specifications without notice.
- Units in this catalog are shown under International System of Units (SI). The figures in parenthesis are under the older British Gravitational System of Units.
- Illustrations may include optional equipment and accessories, and may not include all standard equipment.

Address inquires to :

Hitachi Sumitomo Heavy Industries Construction Crane Co., Ltd.

9-3, Higashi-Ueno 6-chome, Taito-ku, Tokyo 110-0015, Japan
 Phone: 81-3-3845-1387 Facsimile: 81-3-3845-1394
<http://www.hsc-crane.com>

SCX 550E CRAWLER CRANE

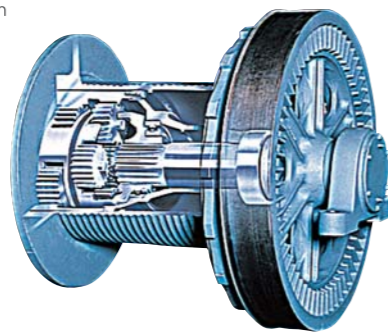


55t OPERATING WEIGHT SUITED TO ANY JOB

Employs an outstanding, simplified winch system for high-reliability, and stunning operation and workability. Both the front winch and rear winch come equipped with a free fall function to take productivity even further.



Drum with integrated reduction gear (winch with free fall function)



REFINED, SIMPLE

A design that is committed solely to "lifting". Cranes with basic functions that are easily accessible present a major advantage for even the most difficult jobs. Hitachi Sumitomo has developed a completely new crawler crane line-up that makes these unique concepts a reality. Superb, powerful lifting performance. High-quality and refined design. High-reliability with time-tested components. Low-maintenance with straightforward mechanisms. The SCX550E offers performance with an air of sophistication and simplicity that works wonders on any site. Introducing the true high-performance crane, capable of completing any job the world over.

SIMPLE, SAFE, AND SUPER RELIABLE

Ultimate reliability is now a reality with the use of proven, simple hydraulic and electrical systems, and minimal circuitry. A centralized layout for various filters, fuses and relays minimizes downtime and ensures low-maintenance. The crane also comes standard with an anti-two block, and secondary boom hoist limiting device as a backup for the boom hoist limiting device. An automatic pawl lock included as standard on the boom hoist drum automatically locks and releases the drum depending on the operation, helping to prevent unexpected accidents resulting from accidental operations.



The high-visibility multifunctional moment limiter can be set easily with an interactive interface



A gate lock lever keeps the crane safe against accidental operations



Winch with free fall function (brake pedals)



Secondary boom hoist limiting device that cannot be released by the operator

HIGH QUALITY, REFINED COCKPIT FOR SUPER-COMFORTABLE OPERATION

Delivers the most comfortable work environment possible with a 1040 mm-wide cab, large windows, and a sunroof that can be opened and closed. Superb driving visibility improves safety during operations or when driving, and ensures work is conducted efficiently.



Comfortable cab design with superb visibility



Full auto air-conditioner (with heater and cooler box, uses substitute chlorofluorocarbon)

SCX550E
CRAWLER CRANE
55t x 3.7m
10m - 52.7m

